

KNITTED

Cabled Turtle Neck Pullover

P-FA-009

Designed by Leslie Wilson

SIZE: Women's Small (Medium, Large, X-Large).
FINISHED SIZE: Finished Bust; 30 (36, 41, 46)".
EXPERIENCE: Intermediate.
MATERIALS: Fantasy (100g ball, 205 yards)
 5 (5, 6, 6) balls Amethyst - color #84
 U S size 8 knitting needles
 Cable needle, 2 medium stitch holders, stitch markers
 needle.

GAUGE: 18 sts and 24 rows = 4" in St St
 32 sts = 4 ½" in Cable Pat.

STITCHES USED: CB4 = Cable Back 4 sts - Slip next 2 sts to cable needle, hold in back of work, k2 sts, k2 sts from cable needle.
 St St = Stockinette Stitch.



DESIGNER NOTES: Front, Back and Sleeves are worked in pieces. Right Shoulder is seamed, then stitches are picked up for the collar and worked back and forth. When collar is complete, remaining seams are sewn.

BACK:

Cast on 80 (92, 104, 116) sts.
 Row 1 (RS): * P2, k4. Repeat from * ending with p2.
 Row 2: * K2, p4. Repeat from * ending with k2.
 Row 3: * P2, CB4. Repeat from * ending with p2.
 Row 4: As row 2.
 Work in Cable Pattern rows 1 – 4 for 7 (7, 7, 7)" ending with row 4.
 Next row (RS): K24 (30, 36, 42), pm, work next 32 sts in established Cable Pat, pm, k24, (30, 36, 42).
 Next row: P24 (30, 36, 42), work next 32 sts in established Cable Pat, p24 (30, 36, 42).
 Maintaining side panels in St St and center 32 sts in established Cable Pat, work until piece measures 16" from beg, ending with a WS row.
 Shape Armholes: At beg of next 2 rows, bind off 5 (5, 5, 5) sts. Dec Row (RS): K1, SKP, work in pat to last 3 sts, k2tog, k1 (2 sts dec). Next Row: Work in pat.
 Repeat these 2 rows 4 (4, 4, 4) times = 60 (72, 84, 96). Work even in pat until armhole measures 7 ½ (8, 8 ½, 9)" ending with row 4 of Cable Pat.
 Shape Shoulders: Right Shoulder: Row 1 (RS): Bind off 4 (6, 10, 12) sts, knit to 2 sts before first marker, k2tog.
 Row 2: Purl.

Row 3: Bind off 3 (6, 8, 12) sts, knit to 2 sts before first marker. k2tog.

Row 4: Purl. Bind off rem 5 (6, 6, 6) sts. Remove markers and place center 32 sts onto stitch holder for Back Neck.

Left Shoulder: Row 1: With WS facing, join yarn and bind off 4 (6, 10, 12) sts, purl to end.

Row 2: Knit

Row 3: Bind off 3 (6, 8, 12) sts, purl to end.

Row 4: Knit. Bind off rem 5 (6, 6, 6) sts.

FRONT:

Work as for Back until armhole measures 6 (6 ½, 7, 7 ½)" ending with row 4 of Cable Pat.

Shape Neck and Shoulders: Left Neck: Dec row (RS): Knit to 2 sts before first marker, k2tog, turn.

Next row (WS): Purl. Rep these 2 rows 1 (1, 1, 1) time = 12 (18, 24, 30) sts.

Left Shoulder: Row 1 (RS): Bind off 4 (6, 10, 12) sts, knit to first marker, turn.

Row 2: Purl.

Row 3: Bind off 3 (6, 8, 12) sts, knit to first marker. turn.

Row 4: Purl. Bind off rem 5 (6, 6, 6) sts. Remove markers and place center 32 sts onto stitch holder for Front Neck.

Right Neck: Row 1: With RS facing, join yarn and work dec row as follows: SKP, knit to end.

Row 2: Purl. Repeat last 2 rows 1 (1, 1, 1) time = 12 (18, 24, 30) sts.

Next row: Knit.



Right Shoulder: Row 1 (WS): Bind off 4 (6, 10, 12) sts and purl to end.

Row 2: Knit.

Row 3: Bind off 3 (6, 8, 12) sts, purl to end. Bind off
Bind off rem 5 (6, 6, 6) sts.

SLEEVES:

Cast on 50 (50, 56, 56).

Row 1 (RS): Work row 1 of Cable Pat, repeating pat 8 (8, 9, 9) times across row. Continue in Cable Pat until piece measures 7 (7, 7, 7)" ending with row 4.

Next row: Inc row (RS): k1, inc 1, k to last 2 sts, inc 1, k1. Work 3 rows even in St St. Rep last 4 rows 12 (14, 16, 16) times = 76 (80, 86, 90) sts. Work even in St St until piece measures 17 1/2 (18, 19, 19 1/2)" ending with a WS row.

Shape Cap: Bind off 5 (5, 5, 5) sts at beg of next 2 rows.

Next row (RS): K1, SKP, knit to last 3 sts, k2tog, k1.

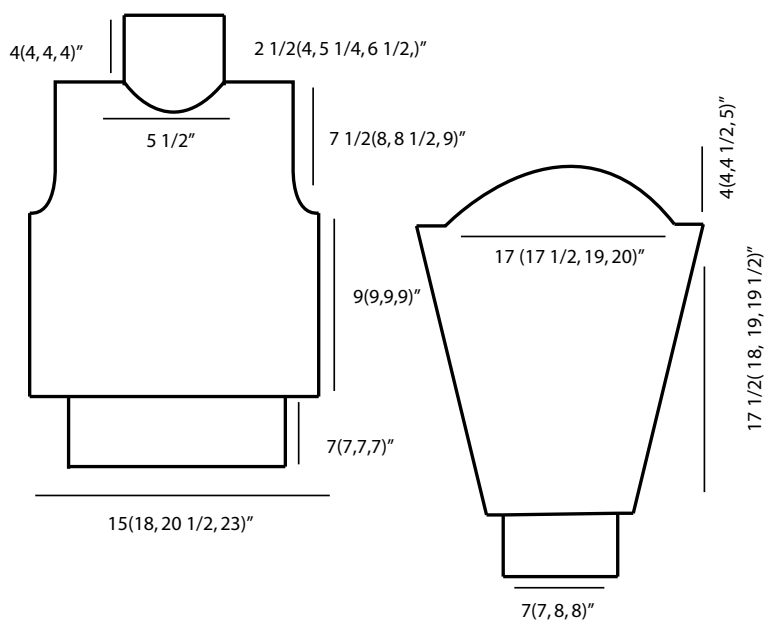
Next row: P1, p2tog, purl to last 3 sts, p2tog tbl, p1.

Continue in pat as set, dec 2 sts every row until 30 sts remain. Bind off rem sts.

FINISHING:

Sew Right Shoulder seam only. Turtle Neck Collar: With RS facing, beg at Left Front Shoulder, pick up and knit 12 (12, 18, 18) sts from Left Front Shoulder to Left Front Neck, work row 1 of Cable Pat across 32 Front Neck sts, pick up and knit 12 (12, 18, 18) sts from Front Neck to Right Shoulder seam, pick up and knit 4 (10, 10, 10) sts from Right shoulder seam to Back neck, work row 1 of Cable Pat across 32 Back Neck sts. pick up and knit 4 (10, 10, 10) sts from back Neck to Back Left Shoulder = 96 (108, 120, 120) sts. Next Row (WS): Beg with row 2 of Cable Pat, work as follows: P4, * k2, p4. Repeat from * ending with k2. Continue in Cable Pat as established until collar measures 4 (4, 4, 4)" from pick up. Bind off all sts loosely in pat.

Assembly: Sew Left Shoulder and Turtle Neck seam. Set in sleeves. Sew sleeve and side seams. Weave in all ends.



ABBREVIATIONS

- beg = beginning
- maining
- dec = decrease
- side
- EOR = every other row
- knit 1, pass slip stitch over
- inc = increase
- stitch or stitches
- k = knit
- back loop
- p= purl
- side
- pm = place marker
- rem = re-
- RS = right
- SKP = slip1,
- st or sts =
- tbl = through
- WS = wrong

